

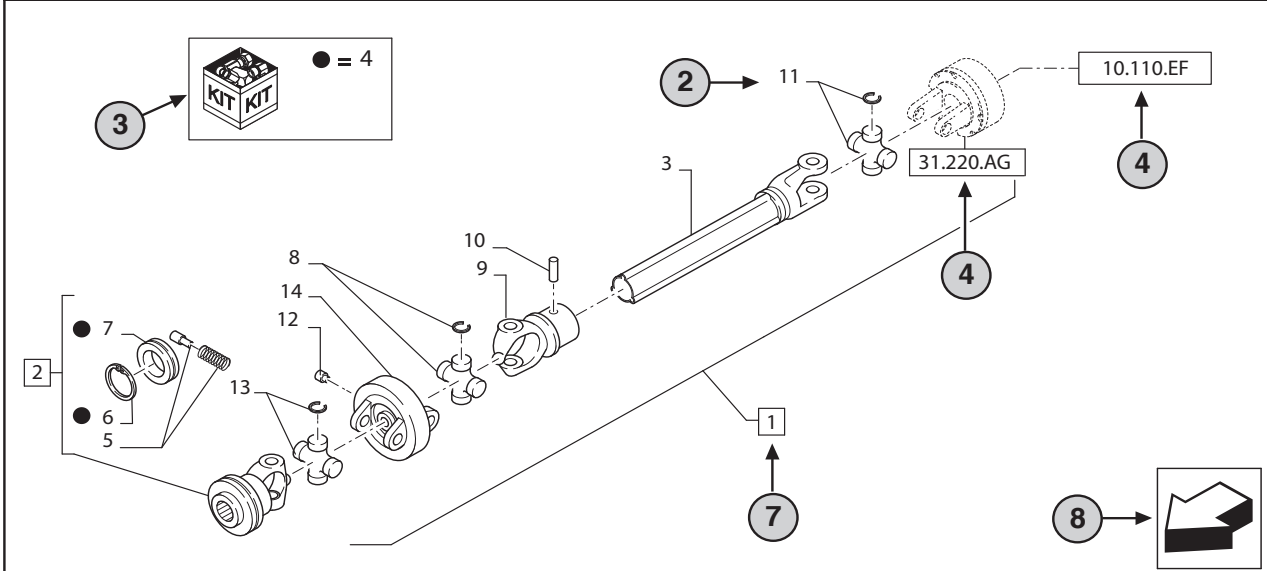
All rights reserved by **CNHi**.

The information contained in this catalogue is intended to be of a general nature only. **CNHi** may at any time and from time to time, for technical or other necessary reasons, modify any of the details or specifications of the product described in this catalogue.

To be sure of getting accurate, detailed and up-to-date information, an intending buyer should consult his nearest **CNHi** dealer or distributor.

Single item numeration method used in this catalogue may not be used without written consent from **CNHi**.

VAR - 123782, 789101,987654 - PTO - D650



STANDARD ← 6

VAR - 123782, 789101,987654 - PTO - D650

11 12 13 14

REF	FN	PART NUMBER	YR/SN	QTY	DESCRIPTION
1	1	86529340	↑ 20	1	SHAFT PTO, Incl 2 - 11
2	15	84014007		1	YOKE, Incl 4 - 7 ← 7
3	16	NSS		1	NOT SERVICED SEPARATELY, SHAFT, 350mm, Incl in 1
4		84004292		1	KIT, Seal Kit, Incl 6, 7 ↑ 17
4		{84058743}		1	KIT, Seal Kit, Incl 6, 7
2	18		↑ 21		
	19		↑ 22		
		1 = FOR ITALY ONLY	← 5		

MODELS ← 1


- 1 Model Number and Model Description
- 2 Reference - Figure call-out of the part number.
- 3 Parts supplied in repair kits per symbol reference.
- 4 31.220.AD Part illustrated on the **Page** or in the **Figure** indicated, or calls for **Variations** or **Details**. Indicates components shown in detail elsewhere in the catalogue under the figure number shown.
- 5 Footnote references
- 6 Figure notes
- 7 1 2 Includes item(s) (See Description within partlist).
- 8 Orientation. (Arrow indicates front of the machine). 
- 9 Figure description.
- 10 General information of the figure.
- 11 Figure title number that aligns with the SRT. Standard Repair Time.
- 12 **Sequence** code within the assembly.
- 13 Page number within the sequence code.
- 14 **Date** of printing or updating of page (month-year).
- 15 **Note** - Relating to the Part Number. There is a key to symbols and abbreviations at the bottom of the text page.
- 16 Non-serviced parts.
- 17 Further description of the part to help confirm identification.
- 18 Not available as service part.
- 19 Part Number.
- 20 To be defined.
- 21 Total **Quantity** of the Part referred to in the page.
The quantity can be replaced by the following indications:
AR = quantity as requested.
- 22 Part **Description**.
- 23 Variant Codes

TABLE OF CONTENTS

00.000.00	01	PICTORIAL INDEX - MAIN SECTIONS
00.000.00	02	PICTORIAL INDEX - MAIN SECTIONS
00.000.00	03	PICTORIAL INDEX - MAIN SECTIONS
00.000.00	04	PICTORIAL INDEX - MAIN SECTIONS
00.000.05		PICTORIAL INDEX - MACHINE COMPLATION AND EQUIPMENT
00.000.10	01	PICTORIAL INDEX - ENGINE
00.000.10	02	PICTORIAL INDEX - ENGINE
00.000.18	01	PICTORIAL INDEX - CLUTCH
00.000.18	02	PICTORIAL INDEX - CLUTCH
00.000.18	03	PICTORIAL INDEX - CLUTCH
00.000.21	01	PICTORIAL INDEX - TRANSMISSION
00.000.21	02	PICTORIAL INDEX - TRANSMISSION
00.000.21	03	PICTORIAL INDEX - TRANSMISSION
00.000.23	01	PICTORIAL INDEX - 4WD LINES
00.000.23	02	PICTORIAL INDEX - 4WD LINES
00.000.25	01	PICTORIAL INDEX - FRONT MECHANICAL DRIVE
00.000.25	02	PICTORIAL INDEX - FRONT MECHANICAL DRIVE
00.000.27		PICTORIAL INDEX - REAR DRIVE AXLE
00.000.31		PICTORIAL INDEX - IMPLEMENT POWER TAKE-OFF
00.000.33	01	PICTORIAL INDEX - BRAKES & CONTROLS
00.000.33	02	PICTORIAL INDEX - BRAKES & CONTROLS
00.000.35	01	PICTORIAL INDEX - HYDRAULIC SYSTEMS
00.000.35	02	PICTORIAL INDEX - HYDRAULIC SYSTEMS
00.000.35	03	PICTORIAL INDEX - HYDRAULIC SYSTEMS
00.000.35	04	PICTORIAL INDEX - HYDRAULIC SYSTEMS
00.000.37		PICTORIAL INDEX - HITCHES, DRAWBARS AND IMPLEMENT COUPLING
00.000.39		PICTORIAL INDEX - FRAME
00.000.41	01	PICTORIAL INDEX - STEERING
00.000.41	02	PICTORIAL INDEX - STEERING
00.000.41	03	PICTORIAL INDEX - STEERING
00.000.44	01	PICTORIAL INDEX - FRONT WHEELS
00.000.44	02	PICTORIAL INDEX - REAR WHEELS
00.000.50		PICTORIAL INDEX - CAB CLIMATE CONTROL
00.000.55	01	PICTORIAL INDEX - ELECTRICAL SYSTEMS

TABLE OF CONTENTS

00.000.55	02	PICTORIAL INDEX - ELECTRICAL SYSTEMS
00.000.55	03	PICTORIAL INDEX - ELECTRICAL SYSTEMS
00.000.55	04	PICTORIAL INDEX - ELECTRICAL SYSTEMS
00.000.55	05	PICTORIAL INDEX - ELECTRICAL SYSTEMS
00.000.55	06	PICTORIAL INDEX - ELECTRICAL SYSTEMS
00.000.55	07	PICTORIAL INDEX - ELECTRICAL SYSTEMS
00.000.82		PICTORIAL INDEX - FRONT LOADER
00.000.88		PICTORIAL INDEX - ACCESSORIES
00.000.90	01	PICTORIAL INDEX - PLATFORM, CAB, BODYWORK AND DECALS
00.000.90	02	PICTORIAL INDEX - PLATFORM, CAB, BODYWORK AND DECALS
00.000.90	03	PICTORIAL INDEX - PLATFORM, CAB, BODYWORK AND DECALS
00.000.90	04	PICTORIAL INDEX - PLATFORM, CAB, BODYWORK AND DECALS
00.100.01		IDENTIFICATION PLATES AND VERSION LIST
00.100.04	01	OPTIONAL EQUIPMENT
00.100.04	02	OPTIONAL EQUIPMENT
00.100.04	03	OPTIONAL EQUIPMENT
00.100.04	04	OPTIONAL EQUIPMENT
05.000.00		SECTION INDEX - MACHINE COMPLATION AND EQUIPMENT
05.100.01		INITIAL STOCKING LIST (LIST A)
05.100.02		INITIAL STOCKING LIST (LIST B)
05.100.03		CAPACITIES
05.100.04	01	MAINTENANCE PARTS - FILTERS
05.100.04	02	MAINTENANCE PARTS - STARTER MOTOR, ALTERNATOR, BELTS
05.100.04	03	MAINTENANCE PARTS - FUSES
05.100.04	04	MAINTENANCE PARTS - BULBS
05.100.04	04	MAINTENANCE PARTS - BULBS
05.100.04	05	MAINTENANCE PARTS - PUMPS
10.000.00	01	SECTION INDEX - ENGINE
10.000.00	02	SECTION INDEX - ENGINE
10.001.AD		VAR - 390321, 391013 - ENGINE, ASSY
10.103.AH	01	VAR - 330069, 333068, 333069, 390068 - FLYWHEEL (SHUTTLE)
10.103.AH	02	VAR - 332068, 332069, 334068 - FLYWHEEL (POWER SHUTTLE)
10.202.AB	01	VAR - 390200 - AIR CLEANER
10.202.AB	02	VAR - 390200 - AIR CLEANER, COMPONENTS

TABLE OF CONTENTS

10.202.AH		VAR - 390200 - AIR CLEANER, SUPPORT
10.202.AK		VAR - 390200 - AIR CLEANER, LINES
10.206.AG	01	VAR - 332136, 390210, 743543, 744574 - FUEL FILTER, SUPPORT
10.206.AG	02	VAR - 332136, 390210, 743543, 744574 - FUEL FILTER, COMPONENTS
10.216.AI	01	VAR - 332136, 390210, 743543, 744574 - FUEL TANK, SUPPORT
10.216.AI	02	VAR - 332136, 390210, 743543, 744574 - FUEL TANK, COMPONENT
10.216.BA		VAR - 332136, 390210, 743543, 744574 - FUEL TANK, LINES
10.220.AA	01	VAR - 334187, 334190, 392315 - THROTTLE CONTROL, PEDAL, W/O CAB
10.220.AA	02	VAR - 334187, 334190, 392315 - THROTTLE CONTROL, HAND, W/O CAB
10.254.AD	01	VAR - 332151, 391151 - EXHAUST SYSTEM PIPE, VERTICAL, W/O CAB
10.254.AD	02	VAR - 330150, 743544 - EXHAUST SYSTEM PIPE, HORIZONTAL
10.254.AD	03	VAR - 331466, 743545 - EXHAUST SYSTEM PIPE, PILLAR, CAB
10.254.AI	01	VAR - 330150, 331466, 332151, 391151, 743544, 743545 - EXHAUST SYSTEM, MUFFLER
10.254.AI	02	VAR - 330150, 331466, 332151, 391151, 743544, 743545 - EXHAUST SYSTEM, SUPPORT
10.400.AY		VAR - 390321, 391013 - RADIATOR, HOSE
10.400.BE		VAR - 390321, 391013 - RADIATOR
10.400.BF		VAR - 390200 - RADIATOR & SHROUD
10.400.BH		VAR - 390321, 391013 - EXPANSION TANK
10.414.AC		VAR - 390018 - FAN
10.414.AD		VAR - 390018 - FAN, PULLEY
10.414.BE		VAR - 390018 - FAN, BELT
10.450.AL		VAR - 334187, 334190, 392315 - PULLEY & BELT, SUPPORT, W/O CAB
18.000.00	01	SECTION INDEX - CLUTCH
18.000.00	02	SECTION INDEX - CLUTCH
18.000.00	03	SECTION INDEX - CLUTCH
18.100.AF	01	VAR - 334174, 390067, 743546, 744576 - CLUTCH, PEDAL, FLEXIBLE CONTROL (SHUTTLE)
18.100.AF	02	VAR - 330274, 330276, 334175, 334176 - CLUTCH, PEDAL, FLEXIBLE CONTROL (POWER SHUTTLE)
18.100.AN	01	VAR - 333814, 392808, 743565, 743566 - PTO CLUTCH, CONTROL LEVER, CAB (SHUTTLE)
18.100.AN	02	VAR - 333814, 392808, 743565, 743566 - PTO CLUTCH, CONTROL LEVER, W/O CAB (SHUTTLE)
18.100.AN	03	VAR - 332808, 336814, 743565, 743566 - PTO CLUTCH, CONTROL LEVER, CAB (POWER SHUTTLE)
18.100.AN	04	VAR - 332808, 336814, 743565, 743566 - PTO CLUTCH, CONTROL LEVER, W/O CAB (POWER SHUTTLE)
18.100.AQ	01	VAR - 333814, 392808, 743565, 743566 - PTO CLUTCH, FLEXIBLE CONTROL, CAB (SHUTTLE)
18.100.AQ	02	VAR - 333814, 392808, 743565, 743566 - PTO CLUTCH, FLEXIBLE CONTROL, W/O CAB (SHUTTLE)

TABLE OF CONTENTS

18.100.AQ	03	VAR - 332808, 336814, 743565, 743566 - PTO CLUTCH, FLEXIBLE CONTROL, CAB (POWER SHUTTLE)
18.100.AQ	04	VAR - 332808, 336814, 743565, 743566 - PTO CLUTCH, FLEXIBLE CONTROL, W/O CAB (POWER SHUTTLE)
18.100.AR	01	VAR - 334174, 390067, 743546, 744576 - PTO CLUTCH, CONTROL, CAB
18.100.AR	02	VAR - 334174, 390067, 743546, 744576 - PTO CLUTCH, CONTROL, W/O CAB
18.104.AM	01	VAR - 333068, 333069, 390068 - PTO CLUTCH, VALVE, CAB
18.104.AM	02	VAR - 333068, 333069, 390068 - PTO CLUTCH, VALVE, COMPONENTS, CAB
18.104.AS	01	VAR - 333068, 333069, 390068 - PTO CLUTCH, CYLINDER, CAB
18.104.AS	02	VAR - 333068, 333069, 390068 - PTO CLUTCH, CYLINDER, COMPONENTS, CAB (SHUTTLE 8X8, 12X12)
18.110.AB		VAR - 390067, 743546, 744576, 334174 - CLUTCH
18.112.AC		VAR - 330274, 330276, 334175, 334176 - CLUTCH, DAMPER
21.000.00	01	SECTION INDEX - TRANSMISSION
21.000.00	02	SECTION INDEX - TRANSMISSION
21.000.00	03	SECTION INDEX - TRANSMISSION
21.100.AM	01	VAR - 330328, 330581, 335677, 335696, 390328, 336858, 743559, 744580 - TRANSMISSION LUBRICATION LINE, MANIFOLD (SHUTTLE)
21.100.AM	02	VAR - 330581, 335694, 390328, 743559, 744580, 336861 - TRANSMISSION LUBRICATION LINE, MANIFOLD (POWER SHUTTLE)
21.100.AM	03	VAR - 330328, 330581, 390328, 336858, 743559 - TRANSMISSION LUBRICATION LINE, MANIFOLD, W/O CAB (SHUTTLE)
21.100.AN	01	VAR - 333068, 333069, 390068 - TRANSMISSION, VALVE, CAB
21.100.AN	02	VAR - 330069 - TRANSMISSION, VALVE, W/O CAB
21.100.AN	03	VAR - 330069, 333068, 333069, 390068 - TRANSMISSION, VALVE, COMPONENTS
21.100.AQ	01	VAR - 333068, 333069, 390068 - TRANSMISSION LUBRICATION LINE, CAB (SHUTTLE)
21.100.AQ	02	VAR - 330069 - TRANSMISSION LUBRICATION LINES, W/O CAB (SHUTTLE)
21.104.AC	01	VAR - 332068, 332069, 334068 - CONTROL VALVE, OIL LINE (POWER SHUTTLE)
21.104.AC	02	VAR - 333068, 333069, 390068 - CONTROL VALVE, OIL LINES, W/O CAB (SHUTTLE)
21.104.AK	01	VAR - 332069, 334068 - TRANSMISSION, VALVE (POWER SHUTTLE)
21.104.AK	02	VAR - 332069, 334068 - TRANSMISSION VALVE, COMPONENTS (POWER SHUTTLE)
21.104.AK	03	VAR - 332069, 334068 - TRANSMISSION, VALVE, COMPONENTS (POWER SHUTTLE)
21.104.AK	04	VAR - 332069, 334068 - TRANSMISSION, VALVE, PRESSURE CONTROL VALVE, MOUNTING PARTS (POWER SHUTTLE)
21.104.AK	05	VAR - 332069, 334068 - PRESSURE CONTROL VALVE, COMPONENTS (POWER SHUTTLE)
21.104.AL	01	VAR - 332069, 334068 - TRANSMISSION LUBRICATION LINE
21.104.AL	02	VAR - 332069, 334068 - TRANSMISSION LUBRICATION LINE, LEFT SIDE
21.104.AL	03	VAR - 332069, 334068 - TRANSMISSION LUBRICATION LINE, RIGHT SIDE
21.104.AP	01	VAR - 332069, 334068 - TRANSMISSION LUBRICATION LINE, FILTER

TABLE OF CONTENTS

21.104.AP	02	VAR - 332069, 334068 - TRANSMISSION LUBRICATION LINE, FILTER, COMPONENTS
21.109.AC		VAR - 339823, 743563 - OIL COOLER, POWERSHUTTLE, LINE
21.109.AF		VAR - 339823, 743563 - OIL COOLER, POWERSHUTTLE, RETURN LINE
21.109.AK		VAR - 339823, 743563 - OIL COOLER, POWERSHUTTLE
21.118.AA		VAR - 332808, 333814, 336814, 392808, 743565, 743566 - DIPSTICK
21.118.AF	01	VAR - 330069, 332068, 332069, 333068, 333069, 334068, 336626, 336627, 340600, 340601, 390068, 743551 - TRANSMISSION HOUSING (W/ PARKING LOCK)
21.118.AF	02	VAR - 330276, 332068, 332069, 333068, 333069, 334068, 340704, 340705, 340706, 340707, 390068, 759176 - TRANSMISSION HOUSING (W/O PARKING LOCK)
21.118.AG		VAR - 330274, 330276, 334174, 334176, 390067, 743546, 744576 - TRANSMISSION, DRIVE, COVER
21.120.AB	01	GEARBOX - SHUTTLE
21.120.AB	02	GEARBOX - POWER SHUTTLE
21.120.AB	03	VAR - 330069, 332068, 332069, 333068, 333069, 334068, 390068 - GEARBOX, MOUNTING PARTS
21.130.AZ	01	VAR - 330274, 334174, 334175, 390067 - TRANSMISSION, CONTROLS, ROD & FORKS, CAB
21.130.AZ	02	VAR - 330274, 334174, 334175, 390067 - TRANSMISSION, CONTROLS, LEVER, CAB
21.130.AZ	03	VAR - 330274, 334174, 334175, 390067 - TRANSMISSION, CONTROLS, ROD & FORKS, W/O CAB
21.130.AZ	04	VAR - 330274, 334174, 334175, 390067 - TRANSMISSION, CONTROLS, LEVER, W/O CAB
21.130.AZ	05	VAR - 330272, 330276, 332079, 334176, 336626, 336627, 340600, 340601, 743546, 743551, 744576 - TRANSMISSION, CONTROLS, ROD & FORKS, CAB (12X12)
21.130.AZ	06	VAR - 330272, 330276, 332079, 334176, 336626, 336627, 340600, 340601, 743546, 743551, 744576 - TRANSMISSION, CONTROLS, LEVER, CAB (12X12)
21.130.AZ	07	VAR - 330272, 330276, 332079, 334176, 743546, 744576 - TRANSMISSION, CONTROLS, ROD & FORKS, W/O CAB (12X12)
21.130.AZ	08	VAR - 330272, 330276, 332079, 334176, 743546, 744576 - TRANSMISSION, CONTROLS, LEVER, W/O CAB (12X12)
21.130.AZ	09	VAR - 340704, 340705, 340706, 340707, 759176 - TRANSMISSION, CONTROL, ROD & FORKS (12X12)
21.130.AZ	10	VAR - 340704, 340705, 340706, 340707, 759176 - TRANSMISSION, CONTROL, LEVER (12X12)
21.130.BC	01	VAR - 330272, 332079, 334174, 390067, 743546, 744576 - TRANSMISSION CONTROL LEVER, REVERSER
21.130.BC	02	VAR - 330272, 332079, 334174, 390067, 743546, 744576 - TRANSMISSION CONTROL LEVER, COMPONENTS
21.130.BC	03	VAR - 330274, 330276, 334175, 334176 - TRANSMISSION CONTROL LEVER, REVERSER
21.130.BC	04	VAR - 330274, 330276, 334175, 334176 - TRANSMISSION CONTROL LEVER, COMPONENTS
21.130.BF	01	VAR - 330274, 334174, 334175, 390067 - TRANSMISSION, CONTROL LEVER, COVER, CAB
21.130.BF	02	VAR - 330274, 334174, 334175, 390067 - TRANSMISSION, CONTROL LEVER, COVER, W/O CAB
21.130.BF	03	VAR - 330272, 330276, 332079, 334176, 336626, 336627, 340600, 340601, 743546, 743551, 744576 - TRANSMISSION, CONTROL LEVER, COVER, CAB (12X12)
21.130.BF	04	VAR - 330272, 330276, 332079, 334176, 743546, 744576 - TRANSMISSION, CONTROL LEVER, COVER, W/O CAB (12X12)
21.130.BF	05	VAR - 340704, 340705, 340706, 340707, 759176 - TRANSMISSION, CONTROL, LEVER, COVER (12X12)
21.134.AI	01A	VAR - 334174, 390067 - TRANSMISSION CONTROL LEVER, GEARSHIFT - END YR 01-JUN-2014
21.134.AI	01B	VAR - 334174, 390067 - TRANSMISSION CONTROL LEVER, GEARSHIFT - BEGIN YR 02-JUN-2014

TABLE OF CONTENTS

21.134.AI	02A	VAR - 334174, 390067 - TRANSMISSION CONTROL LEVER, GEARSHIFT - END YR 01-JUN-2014
21.134.AI	02B	VAR - 334174, 390067 - TRANSMISSION CONTROL LEVER, GEARSHIFT - BEGIN YR 02-JUN-2014
21.134.AI	03	VAR - 330272, 330276, 332079, 334176, 743546, 744576 - TRANSMISSION CONTROL LEVER, GEARSHIFT, CAB
21.134.AI	04A	VAR - 330272, 330276, 332079, 334176, 336626, 336627, 340600, 340601, 743546, 743551, 744576 - TRANSMISSION CONTROL LEVER, GEARSHIFT - END YR 01-JUN-2014
21.134.AI	04B	VAR - 330274, 334174, 334175, 334176 336626, 336627, 340600, 340601, 390067, 743551 - TRANSMISSION CONTROL LEVER, GEARSHIFT - BEGIN YR 02-JUN-2014
21.134.AI	05A	VAR - 330272, 330276, 332079, 340704, 340705, 340706, 340707, 743546, 744576, 759176 - TRANSMISSION CONTROL LEVER, GEARSHIFT - END YR 01-JUN-2014
21.134.AI	05B	VAR - 330272, 330276, 332079, 340704, 340705, 340706, 340707, 743546, 744576, 759196 - TRANSMISSION CONTROL LEVER, GEARSHIFT - BEGIN YR 02-JUN-2014
21.134.AI	06A	VAR - 330272, 330276, 332079, 340704, 340705, 340706, 340707, 743546, 744576, 759176 - TRANSMISSION CONTROL LEVER, GEARSHIFT - END YR 01-JUN-2014
21.134.AI	06B	VAR - 330272, 330276, 332079, 340704, 340705, 340706, 340707, 743546, 744576, 759196 - TRANSMISSION CONTROL LEVER, GEARSHIFT, W/O CAB - BEGIN YR 02-JUN-2014
21.134.AI	07	VAR - 330274, 334174, 334175, 390067 - TRANSMISSION, CONTROL LEVER, GEARSHIFT, W/O CAB
21.134.AI	08	VAR - 330274, 334174, 334175, 390067 - TRANSMISSION, CONTROL LEVER, GEARSHIFT, W/O CAB
21.134.AI	09	VAR - 336626, 338215, 340600, 340704, 340706, 390124, 743551 - GEARSHIFT CONTROL LEVER, BOOT, W/O MID MOUNT VALVES
21.134.AI	10	VAR - 336627, 340601, 340705, 340707, 743551 - GEARSHIFT CONTROL LEVER, BOOT
21.140.AC		VAR - 330272 - 330274 - 390067 - 743546 - TRANSMISSION, SYNCHRONIZER
21.140.AE		VAR - 330272 - 330274 - 390067 - 743546 - TRANSMISSION, GEAR
21.145.AH	01	VAR - 332079, 334174, 334175, 334176, 744576 - TRANSMISSION, GEAR, COVER
21.145.AH	02	VAR - 330272 - 330274 - 390067 - 743546 - GEARBOX, COVER, BEARING
21.148.AA		VAR - 332079, 334174, 334175, 334176, 330276, 744576 - TRANSMISSION, CONTROLS, SYNCHRONIZER
21.148.AC		VAR - 332079, 334174, 334175, 334176, 744576 - TRANSMISSION, GEAR, DRIVE GEAR SHAFT
21.148.AH		VAR - 332079, 334174, 334175, 334176, 744576 - TRANSMISSION, DRIVEN SHAFT, GEAR
21.148.AK		VAR - 330272, 332079, 334174, 390067, 743546, 744576 - TRANSMISSION, ROD & FORKS
21.148.AQ	01	VAR - 332068, 333068 - CENTRAL REDUCTION GEAR, SHAFT & GEAR
21.148.AQ	02	VAR - 332068, 333068, 334068, 390068 - CENTRAL REDUCTION GEAR, SHAFT & GEAR
21.148.AQ	03	VAR - 330069, 332069, 333069 - CENTRAL REDUCTION GEAR, SHAFT & GEAR (SHUTTLE & POWER SHUTTLE, 12X12)
21.154.AA		VAR - 330274, 330276, 334175, 334176 - TRANSMISSION, CLUTCH, DISC, HOUSING
21.154.AJ		VAR - 330274, 330276, 334175, 334176 - TRANSMISSION, CLUTCH, DRIVEN SHAFT, DISC
21.154.AM		VAR - 330274, 330276, 334175, 334176 - TRANSMISSION, CLUTCH, COVER
21.154.AO	01	VAR - 330274, 330276, 334175, 334176 - TRANSMISSION, CLUTCH, MANIFOLD, GEAR
21.154.AO	02	VAR - 330274, 330276 - TRANSMISSION, POWERSHUTTLE, GEARS & SHAFT
21.160.AD	01	VAR - 332079, 334174, 744576 - TRANSMISSION, POWERSHUTTLE, CREEPER, ROD & FORKS
21.160.AD	02	VAR - 334175, 334176 - TRANSMISSION, POWERSHUTTLE, CREEPER, ROD & FORKS
21.160.AI	01	VAR - 332079, 334174, 334175, 334176, 744576 - CREEPER, CONTROL (12X12), CAB

TABLE OF CONTENTS

21.160.AI	02	VAR - 332079, 334174, 334175, 334176, 744576 - CREEPER, CONTROLS (12X12), W/O CAB
21.160.AN	01	VAR - 332079, 334174, 744576 - TRANSMISSION, POWERSHUTTLE, CREEPER, GEARS & SHAFT (12X12)
21.160.AN	02	VAR - 334175, 334176 - TRANSMISSION, POWERSHUTTLE, CREEPER, GEARS & SHAFT (12X12)
21.162.AF		VAR - 330272, 332079, 334174, 390067, 743546, 744576 - REVERSE TRANSMISSION GEAR
21.162.AH		VAR - 330272, 390067, 743546 - TRANSMISSION, DRIVEN SHAFT
23.000.00	01	SECTION INDEX - 4WD LINES
23.000.00	02	SECTION INDEX - 4WD LINES
23.101.AF	01	VAR - 330328, 335672, 335676, 390328, 743559 - IDLER, HOUSING, 4WD
23.101.AF	02	VAR - 340600, 340601, 743551, 330581, 335581, 336858, 336861 - IDLER, HOUSING, 2WD
23.101.AF	03	VAR - 330581, 335581 - PLATE, 2WD
23.101.AF	04	VAR - 340704, 340705, 336858, 336861, 759176 - PLATE, 2WD
23.101.AK	01	VAR - 330328, 335672, 335676, 390328, 743559 - IDLER, CONTROL, CAB
23.101.AK	02	VAR - 330328, 335672, 335676, 390328, 743559 - IDLER, CONTROL, W/O CAB
23.101.AK	03	VAR - 330581, 336858, 336861, 744580 - IDLER, CONTROL, PLUG
23.101.AL		VAR - 330328, 335672, 335676, 390328, 743559 - IDLER, CONTROL, 4WD
23.202.AD		VAR - 335677, 335694, 335695, 335696, 744580 - IDLER, HOUSING, 4WD
23.202.AI	01	VAR - 335677, 335694, 335695, 335696, 744580 - TRANSMISSION, SHAFT, 4WD
23.202.AI	02	VAR - 335677, 335694, 335695, 335696, 744580 - TRANSMISSION GEAR, 4WD
23.202.AN	01	VAR - 335677, 335696, 744580 - TRANSMISSION LUBRICATION LINE
23.202.AN	02	VAR - 335694, 335695, 744580 - TRANSMISSION LUBRICATION LINE
23.304.AF		VAR - 330328, 335672, 335676, 390328, 743559 - TRANSMISSION, GEAR, 4WD
23.304.AJ		VAR - 330328, 335672, 335676, 390328, 743559 - TRANSMISSION, SHAFT, 4WD
23.314.AH	01	VAR - 390448, 743558, 340559 - 4WD DRIVESHAFT FOR FIXED FRONT AXLE
23.314.AH	02	VAR - 390448, 743558, 340559 - 4WD DRIVESHAFT FOR FIXED FRONT AXLE, GUARD
25.000.00	01	SECTION INDEX - FRONT MECHANICAL DRIVE
25.000.00	02	SECTION INDEX - FRONT MECHANICAL DRIVE
25.100.AD		VAR - 390328, 743559, 744580 - 4WD FRONT AXLE, HOUSING
25.100.AI		VAR - 334216, 390274, 334218, 334361 - AXLE SUPPORT, ARTICULATION, 4WD
25.100.AV	01	VAR - 334216, 390274 - AXLE SUPPORT, 4WD
25.100.AV	02	VAR - 331490, 391489, 743593 - AXLE SUPPORT, PLATE
25.100.AV	03	VAR - 330489, 333489, 334489, 335489, 336732, 336734, 336736, 336914 - AXLE SUPPORT, PLATE
25.100.AV	04	VAR - 334218, 334361 - AXLE SUPPORT, 4WD
25.102.AC	01	VAR - 390328, 743559, 744580 - 4WD FRONT AXLE, DIFFERENTIAL CARRIER

TABLE OF CONTENTS

25.102.AC	02	VAR - 390328, 743559, 744580 - 4WD FRONT AXLE, BEVEL GEAR, RATIO 11/37
25.102.AC	03	VAR - 390328, 743559, 744580 - 4WD FRONT AXLE, SHIM KIT
25.102.AC	04	VAR - 390328, 743559, 744580 - 4WD FRONT AXLE, SHIM KIT
25.102.AC	05	VAR - 390328, 743559, 744580 - 4WD FRONT AXLE, BEVEL GEAR, RATIO 11/31
25.102.AD		VAR - 390328, 743559, 744580 - 4WD FRONT AXLE, DIFFERENTIAL GEAR
25.102.AE		VAR - 390328, 743559, 744580 - 4WD FRONT AXLE, DIFFERENTIAL GEAR
25.108.AA		VAR - 390328, 743559, 744580 - 4WD FRONT AXLE, SHAFT
25.108.AB		VAR - 390328, 743559, 744580 - 4WD FRONT AXLE, PLANETARY REDUCER
25.108.AG		VAR - 390328, 743559, 744580 - 4WD FRONT AXLE, STEERING KNUCKLE
25.108.AN		VAR - 390328, 743559, 744580 - 4WD FRONT AXLE, STEERING KNUCKLE, HUB
25.400.AD	01	VAR - 330581, 335581 - FRONT AXLE, EXTENSION, 2WD
25.400.AD	02	VAR - 336858, 336861 - FRONT AXLE, EXTENSION, 2WD, HEAVY DUTY
25.400.AF		VAR - 334216, 334358 - AXLE SUPPORT, 2WD
25.400.AH	01	VAR - 330581, 335581 - FRONT AXLE, HUB, 2WD
25.400.AH	02	VAR - 336858, 336861 - FRONT AXLE, HUB, 2WD, HEAVY DUTY
25.400.AL		VAR - 334216, 334358 - AXLE SUPPORT, ARTICULATION, 2WD
25.400.AM	01	VAR - 330581, 335581, 336858, 336861 - FRONT AXLE, 2WD
25.400.AM	02	VAR - 330581, 335581 - FRONT AXLE, BODY, 2WD
25.400.AM	03	VAR - 336858, 336861 - FRONT AXLE, BODY, 2WD, HEAVY DUTY
25.400.AQ	01	VAR - 330581, 335581 - FRONT AXLE, STEERING KNUCKLE, 2WD
25.400.AQ	02	VAR - 336858, 336861 - FRONT AXLE, STEERING KNUCKLE, 2WD, HEAVY DUTY
27.000.00		SECTION INDEX - REAR DRIVE AXLE
27.106.AA	01	VAR - 393280, 743507 - REDUCTION, BEVEL GEAR - 30 KPH (8X8)
27.106.AA	02	VAR - 332280, 743507 - REDUCTION, BEVEL GEAR - 30 KPH (12X12)
27.106.AA	03	VAR - 337280, 743552 - REDUCTION, BEVEL GEAR - 40 KPH (12X12)
27.106.AC		VAR - 330274, 330276, 334174, 334175, 334176, 390067, 743546, 744576 - DIFFERENTIAL GEAR
27.106.AL		VAR - 390381 - DIFFERENTIAL LOCK, PEDAL
27.106.AM	01	VAR - 390381 - DIFFERENTIAL LOCK
27.106.AM	02	VAR - 390381 - DIFFERENTIAL LOCK
27.120.AF	02	VAR - 390448, 743558, 340559 - FINAL DRIVE, SHAFT & GEAR
27.120.AI		VAR - 390448, 743558, 340559 - FINAL DRIVE, HOUSING & COVERS
31.000.00		SECTION INDEX - IMPLEMENT POWER TAKE-OFF
31.101.AA		VAR - 333814, 336814, 743566 - PTO 540-540E RPM, TIE-ROD, SHUTTLE, POWERSHUTTLE
31.104.AA	01	VAR - 330838 - PTO 540-540E RPM, SPEED CHANGE LEVER, CAB

TABLE OF CONTENTS

31.104.AA	02	VAR - 330838 - PTO 540-540E RPM, SPEED CHANGE LEVER, W/O CAB
31.104.AN	01	VAR - 333068, 333069, 390068 - PTO CLUTCH, OIL, LINE, CAB
31.104.AN	02	VAR - 333068, 333069, 390068 - PTO CLUTCH, OIL, LINE, W/O CAB
31.110.AB		VAR - 332808, 392808, 743565 - PTO 540 RPM, DRIVEN SHAFT
31.110.AI	01	VAR - 392808, 743565 - PTO 540 RPM, SHUTTLE, COVER
31.110.AI	02	VAR - 332808, 743565 - PTO 540 RPM, POWERSHUTTLE, COVER
31.110.AI	03	VAR - 392905 - PTO SHAFT, COVER
31.110.AK	01	VAR - 392808, 743565 - PTO 540 RPM, SHUTTLE, DRIVE SHAFT
31.110.AK	02	VAR - 332808, 743565 - PTO 540 RPM, POWERSHUTTLE, DRIVE SHAFT
31.110.AP		VAR - 392808, 332808, 743565 - PTO 540 RPM, OUTPUT SHAFT
31.110.AR		VAR - 392808, 332808, 743565 - PTO 540 RPM, GEAR
31.114.AB	01	VAR - 333814, 743566 - PTO 540/540E RPM, SHUTTLE, DRIVEN SHAFT
31.114.AB	02	VAR - 336814, 743566 - PTO 540-540E RPM, POWERSHUTTLE, DRIVEN SHAFT
31.114.AF		VAR - 333814, 336814, 743566 - PTO 540-540E RPM, OUTPUT SHAFT
31.114.AH	01	VAR - 333814, 743566 - PTO 540-540E RPM, SHUTTLE, COVER
31.114.AH	02	VAR - 336814, 743566 - PTO 540-540E RPM, POWERSHUTTLE, COVER
31.114.AP	01	VAR - 333814, 743566 - PTO 540-540E RPM, SHUTTLE, DRIVE SHAFT
31.114.AP	02	VAR - 336814, 743566 - PTO 540-540E RPM, POWERSHUTTLE, DRIVE SHAFT
31.114.AT		VAR - 333814, 336814, 743566 - PTO 540-540E RPM, GEAR
33.000.00	01	SECTION INDEX - BRAKES & CONTROLS
33.000.00	02	SECTION INDEX - BRAKES & CONTROLS
33.110.AJ	01	VAR - 340704, 340705, 340706, 340707, 759176 - HAND BRAKE, CONTROLS
33.110.AJ	02	VAR - 340704, 340705, 340706, 340707, 759176 - HAND BRAKE, LEVER, COMPONENTS, CAB
33.110.AJ	03	VAR - 340704, 340705, 340706, 340707, 759176 - HAND BRAKE, CONTROL, W/O CAB
33.110.AJ	04	VAR - 340704, 340705, 340706, 340707, 759176 - HAND BRAKE, LEVER, COMPONENTS, W/O CAB
33.110.AP		VAR - 336626, 336627, 340600, 340601, 392286, 743551 - PARKING BRAKE, TIE-ROD ASSY, CAB
33.120.AC		VAR - 330274, 330276, 334174, 334175, 334176, 390067, 743546, 744576 - BRAKE LEVER, W/O CAB
33.120.AD	01	VAR - 332808, 392808, 743565 - BRAKE, CONTROL, LINKAGE, W/O CAB
33.120.AD	02	VAR - 333814, 336814, 743566 - BRAKE, CONTROL, LINKAGE, W/O CAB
33.120.AH		VAR - 330274, 330276, 334174, 334175, 334176, 390067, 743546, 744576 - BRAKE DISC, W/O CAB
33.202.AE	01	VAR - 330274, 330276, 334174, 334175, 334176, 390067, 743546, 744576 - BRAKE LINE, CAB
33.202.AE	02	VAR - 330274, 330276, 334174, 334175, 334176, 390067, 743546, 744576 - BRAKE LINE, CAB
33.202.AJ	01	VAR - 330274, 330276, 334174, 334175, 334176, 390067, 743546, 744576 - BRAKE CYLINDER, CAB
33.202.AJ	02	VAR - 330274, 330276, 334174, 334175, 334176, 390067, 743546, 744576 - BRAKE CYLINDER, CAB

TABLE OF CONTENTS

33.202.AK		VAR - 330274, 330276, 334174, 334175, 334176, 390067, 743546, 744576 - BRAKE DISC, CAB
33.202.AN	01	VAR - 330274, 330276, 334174, 334175, 334176, 390067, 743546, 744576 - BRAKE FLUID RESERVOIR, CAB
33.202.AN	02	VAR - 330272, 330276 - BRAKE FLUID RESERVOIR, ROPS - BEGIN YR 08-MAY-2014
33.202.AR	01	VAR - 330274, 330276, 334174, 334175, 334176, 390067, 743546, 744576 - BRAKE CYLINDER, CAB
33.202.AR	02	VAR - 330272, 330276 - BRAKE CYLINDER, ROPS - BEGIN YR 08-MAY-2014
33.202.BN	01	VAR - 334183, 334211, 391606, 743496, 743573, 744588 - BRAKE, PEDAL, CAB
33.202.BN	02	VAR - 330274, 330276, 334174, 334175, 334176, 390067, 743546, 744576 - BRAKE, PEDAL, W/O CAB
33.202.BO	01	VAR - 330274, 330276, 334174, 334175, 334176, 390067, 743546, 744576 - BRAKE CYLINDER, LINES, CAB
33.202.BO	02	VAR - 330272, 330276 - BRAKE CYLINDER, LINES, ROPS - BEGIN YR 08-MAY-2014
35.000.00	01	SECTION INDEX - HYDRAULIC SYSTEMS
35.000.00	02	SECTION INDEX - HYDRAULIC SYSTEMS
35.000.00	03	SECTION INDEX - HYDRAULIC SYSTEMS
35.000.00	04	SECTION INDEX - HYDRAULIC SYSTEMS
35.100.AB	01	VAR - 390831, 743595, 743596 - HYDRAULIC LIFT, OIL PAN
35.100.AB	02	VAR - 391953, 743598 - HYDRAULIC LIFT, OIL, BREATHER
35.100.AH		VAR - 390831, 743595, 743596 - HYDRAULIC LIFT, OIL FILTER, PIPE
35.100.BI	01	VAR - 390831 - HYDRAULIC LIFT, CYLINDER, PISTON
35.100.BI	02	VAR - 743595, 743596 - HYDRAULIC LIFT, CYLINDER, PISTON (W/ LIFT-O-MATIC)
35.104.AA	01	VAR - 392823, 743563 - HYDRAULIC PUMP (SHUTTLE)
35.104.AA	02	VAR - 339823, 743563 - HYDRAULIC PUMP (POWERSHUTTLE)
35.114.AF	01	VAR - 390831, 743595, 743596 - HYDRAULIC LIFT, CONTROL VALVE
35.114.AF	02	VAR - 390831, 743595, 743596 - HYDRAULIC LIFT, CONTROL VALVE, COMPONENTS
35.116.AH		VAR - 743596 - HYDRAULIC LIFT, LIFT CYLINDER
35.204.AY		VAR - 390831, 743595, 743596 - PRESSURE RELIEF VALVE
35.204.BB	01	VAR - 390107, 743568 - REMOTE CONTROL VALVE, COUPLING, COVERS
35.204.BB	02	VAR - 334107, 743569 - REMOTE CONTROL VALVE, COUPLING, COVER
35.204.BE	01	VAR - 390107, 743568 - REMOTE CONTROL VALVE (1 REMOTE, 2 COUPLERS) - END YR 09-MAY-2016
35.204.BE	01A	VAR - 390107, 743568 - REMOTE CONTROL VALVE (1 REMOTE, 2 COUPLERS) - BEGIN YR 10-MAY-2016
35.204.BE	02	VAR - 390107, 743568 - REMOTE CONTROL VALVE (1 REMOTE, 2 COUPLERS)
35.204.BE	03	VAR - 334107, 743569 - REMOTE CONTROL VALVE, ATTACHMENT
35.204.BE	04	VAR - 334107, 743569 - REMOTE CONTROL VALVE (2 REMOTE, 4 COUPLERS) - END YR 09-MAY-2016
35.204.BE	04A	VAR - 334107, 743569 - REMOTE CONTROL VALVE (2 REMOTE, 4 COUPLERS) - BEGIN YR 10-MAY-2016
35.204.BE	05	VAR - 334107, 743569 - REMOTE CONTROL VALVE (2 REMOTE, 4 COUPLERS)

TABLE OF CONTENTS

35.204.BE	06	VAR - 334107, 743569 - REMOTE CONTROL VALVE (2 REMOTE, 4 COUPLERS)
35.204.BE	07	VAR - 334107, 743569 - REMOTE CONTROL VALVE, ATTACHMENT
35.204.BE	08	VAR - 334107, 390107, 743568, 743569 - REMOTE CONTROL VALVE, ATTACHMENT
35.204.BE	09	VAR - 334107, 743569 - REMOTE CONTROL VALVE, DISTRIBUTOR, COMPONENTS
35.204.BE	10	VAR - 334107, 743569 - REMOTE CONTROL VALVE, DISTRIBUTOR, COMPONENTS
35.204.BE	11	VAR - 390107, 334107, 743568, 743569 - REMOTE CONTROL VALVE, DISTRIBUTOR, COMPONENTS
35.204.BJ	01	VAR - 390107, 743568 - REMOTE CONTROL VALVE, LINES
35.204.BJ	02	VAR - 334107, 743569 - REMOTE CONTROL VALVE, LINES
35.204.BL	01	VAR - 390107, 743568 - REMOTE CONTROL VALVE, CONTROL LEVER (1 REMOTE), CAB
35.204.BL	02	VAR - 390107, 743568 - REMOTE CONTROL VALVE, CONTROL LEVER (1 REMOTE), W/O CAB
35.204.BL	03	VAR - 334107, 743569 - REMOTE CONTROL VALVE, CONTROL LEVER (2 REMOTE), CAB
35.204.BL	04	VAR - 334107, 743569 - REMOTE CONTROL VALVE, CONTROL LEVER (2 REMOTE), W/O CAB
35.204.BS	01	VAR - 336125, 338125, 336780 - MID MOUNT VALVE KIT, BRACKET, LINES
35.204.BS	02	VAR - 336125, 338125, 336780 - MID MOUNT VALVE KIT, COMPONENTS
35.204.BS	03	VAR - 336125, 338125, 336780 - MID MOUNT VALVE KIT, LINES
35.204.BS	04	VAR - 331488, 331490, 743593 - MID MOUNT VALVE, PLUGS
35.220.AD	01	VAR - 390831, 743595, 743596 - HYDRAULIC PUMP, LINE
35.220.AD	02	VAR - 390124 - HYDRAULIC LIFT, SUCTION PIPE
35.220.AE		VAR - 390831, 743595, 743596 - HYDRAULIC OIL FILTER
35.220.AG	01	VAR - 390831, 743595, 743596 - HYDRAULIC PUMP, RETURN, LINE
35.220.AG	02	VAR - 390831, 743595, 743596 - HYDRAULIC PUMP, RETURN, LINE
35.701.AD		VAR - 333489, 334489, 335489, 339489, 336732, 336734, 336736 - FRONT LOADER, QUICK COUPLER
35.701.AX	01	VAR - 333489, 335489, 336732, 336914 - FRONT LOADER, BOOM CYLINDER, LINES
35.701.AX	02	VAR - 336732, 336914 - FRONT LOADER, BOOM CYLINDER, LINES (W/ DIVERTER)
35.701.AX	03	VAR - 334489, 339489, 336734, 336736 - FRONT LOADER, BOOM CYLINDER (SELF LEVELLING), LINES
35.701.AX	04	VAR - 336734, 336736 - FRONT LOADER, BOOM CYLINDER (SELF LEVELLING), LINES (W/ DIVERTER)
35.701.CB		VAR - 333489, 334489, 335489, 339489, 336732, 336734, 336736 - LIFT CYLINDER, COMPONENTS
35.701.CE	01	VAR - 336732, 336914 - LOADER BUCKET, VALVE
35.701.CE	02	VAR - 336734, 336736 - LOADER BUCKET (SELF LEVELLING), VALVE
35.701.CH	01	VAR - 336732, 336914 - LOADER BUCKET, VALVE, PIPE
35.701.CH	02	VAR - 336734, 336736 - LOADER BUCKET (SELF LEVELLING), VALVE, PIPE
35.701.CJ		VAR - 336732, 336734, 336736, 336914 - LOADER BUCKET, QUICK COUPLER
35.723.AA	01	VAR - 333489, 335489, 336732, 336914 - BUCKET CYLINDER, COMPONENTS

TABLE OF CONTENTS

35.723.AA	02	VAR - 334489, 339489, 336734, 336736 - BUCKET CYLINDER (SELF LEVELLING), COMPONENTS
35.723.AB	01	VAR - 333489, 335489, 336732, 336914 - BUCKET CYLINDER, LINES
35.723.AB	02	VAR - 336732, 336914 - BUCKET CYLINDER, LINES (W/ DIVERTER)
35.723.AB	03	VAR - 334489, 339489, 336734, 336736 - BUCKET CYLINDER (SELF LEVELLING), LINES
35.723.AB	04	VAR - 336734, 336736 - BUCKET CYLINDER (SELF LEVELLING), LINES (W/ DIVERTER)
37.000.00		SECTION INDEX - HITCHES, DRAWBARS AND IMPLEMENT COUPLING
37.100.AA		VAR - 392905 - DRAWBAR
37.106.AA	01	VAR - 331122 - TOW HOOK
37.106.AA	02	VAR - 331215 - TOW HOOK (60KG)
37.108.AD	01	VAR - 390831, 743595, 743596 - HYDRAULIC LIFT, CONTROL LEVER
37.108.AD	02	VAR - 332035 - HYDRAULIC LIFT, OUTSIDE, CONTROL LEVER, CAB
37.108.AD	03	VAR - 332035 - HYDRAULIC LIFT, OUTSIDE, CONTROL LEVER, W/O CAB
37.108.AE		VAR - 390831, 743595, 743596 - HYDRAULIC LIFT, LINK, ROD
37.108.AL	01	VAR - 743595, 743596 - LIFT-O-MATIC, CONTROL LEVER, CAB
37.108.AL	02	VAR - 743595 - LIFT-O-MATIC, CONTROL LEVER, W/O CAB
37.108.AL	03	VAR - 743595, 743596 - LIFT-O-MATIC, CONTROL LEVER, COMPONENTS
37.110.AC	01	VAR - 390831 - HYDRAULIC LIFT, HOUSING
37.110.AC	02	VAR - 743595, 743596 - HYDRAULIC LIFT, HOUSING (W/ LIFT-O-MATIC)
37.110.AK	01	VAR - 390831 - HYDRAULIC LIFT, INSIDE, CONTROLS, LEVER
37.110.AK	02	VAR - 390831 - HYDRAULIC LIFT, INSIDE, CONTROLS, TIE-ROD, LEVER
37.110.AK	03	VAR - 390831 - HYDRAULIC LIFT, INSIDE, CONTROLS, SHAFT, LEVER
37.110.AK	04	VAR - 743595, 743596 - HYDRAULIC LIFT, INSIDE, CONTROLS, LEVER (W/ LIFT-O-MATIC)
37.110.AK	05	VAR - 743595, 743596 - HYDRAULIC LIFT, INSIDE, CONTROLS, TIE-ROD, LEVER (W/ LIFT-O-MATIC)
37.110.AK	06	VAR - 743595, 743596 - HYDRAULIC LIFT, INSIDE, CONTROLS, SHAFT, LEVER (W/ LIFT-O-MATIC)
37.110.AQ	01	VAR - 390831 - HYDRAULIC LIFT, INSIDE, CONTROLS, LIFT ARM
37.110.AQ	02	VAR - 390831, 743595, 743596 - HYDRAULIC LIFT, SUPPORT
37.110.AQ	03	VAR - 743595 - HYDRAULIC LIFT, SUPPORT (W/ LIFT-O-MATIC)
37.110.AQ	04	VAR - 743596 - HYDRAULIC LIFT, SUPPORT (W/ LIFT-O-MATIC, W/ 1 AUXILIARY LIFT RAM)
37.120.AA	01	VAR - 391953, 743598 - TOP LINK, ARM
37.120.AA	02	VAR - 391953, 743598 - TOP LINK, ARM, COMPONENTS
37.120.AF	01	VAR - 391953, 743598 - STABILIZER CYLINDER
37.120.AF	02	VAR - 391953, 743598 - STABILIZER CYLINDER, COMPONENTS
37.120.AO	01	VAR - 391953, 743598 - LOWER LINK, ARM
37.120.AO	02	VAR - 391953, 743598 - LOWER LINK, ARM, COMPONENTS

TABLE OF CONTENTS

37.120.AV	01	VAR - 391953, 743598 - 3 POINT HITCH, LIFTING ROD
37.120.AV	02	VAR - 391953, 743598 - 3 POINT HITCH, LIFTING ROD, RIGHT, COMPONENTS
37.120.AV	03	VAR - 391953, 743598 - 3 POINT HITCH, LIFTING ROD, LEFT, COMPONENTS
39.000.00		SECTION INDEX - FRAME
39.140.AF	01	VAR - 332215 - FRONT WEIGHT (160KG)
39.140.AF	02	VAR - 333215 - FRONT WEIGHT (240KG)
39.140.AL		VAR - 330470 - BALLAST, REAR (200KG)
41.000.00	01	SECTION INDEX - STEERING
41.000.00	02	SECTION INDEX - STEERING
41.000.00	03	SECTION INDEX - STEERING
41.101.AF	01	VAR - 334183, 334211, 391606, 743496, 743573, 744588 - STEERING COLUMN, CAB
41.101.AF	02	VAR - 334187, 334190, 392315 - STEERING COLUMN, W/O CAB
41.101.AJ	01	VAR - 334183, 334211, 391606, 743496, 743573, 744588 - STEERING WHEEL, CAB
41.101.AJ	02	VAR - 334187, 334190, 392315 - STEERING WHEEL, W/O CAB
41.106.AB	01	VAR - 330581, 335581 - FRONT AXLE, PITMAN, 2WD
41.106.AB	02	VAR - 336858, 336861 - FRONT AXLE, PITMAN, 2WD, HEAVY DUTY
41.106.AC	01	VAR - 330581, 335581 - FRONT AXLE, ADJUSTMENT ROD, 2WD
41.106.AC	02	VAR - 336858, 336861 - FRONT AXLE, ADJUSTMENT ROD, 2WD, HEAVY DUTY
41.106.AD		VAR - 390328, 743559, 744580 - 4WD FRONT AXLE, STEERING TIE-ROD
41.200.AA	01	VAR - 390328, 743559, 744580 - STEERING CONTROL VALVE, HYDR LINES, 4WD
41.200.AA	02	VAR - 330581, 335581, 336858, 336861 - STEERING CONTROL VALVE, HYDRAULIC LINE, 2WD
41.200.AA	03	VAR - 335695, 744580 - STEERING CONTROL VALVE, HYD LINE, 4WD
41.200.AO	01	VAR - 390328, 743559, 744580 - 4WD FRONT AXLE, LUBRICATION LINE
41.200.CA	01	VAR - 390328, 743559, 744580 - STEERING CONTROL VALVE, 4WD
41.200.CA	02	VAR - 330581, 335581, 336858, 336861 - STEERING CONTROL VALVE, 2WD
41.200.CA	03	VAR - 335695, 744580 - STEERING CONTROL VALVE, 4WD
41.216.AB	01	VAR - 330581, 335581 - FRONT AXLE, OPERATING CYLINDER, 2WD
41.216.AB	02	VAR - 330581, 335581 - FRONT AXLE, OPERATING CYLINDER, COMPONENTS, 2WD
41.216.AB	03	VAR - 336858, 336861 - FRONT AXLE, OPERATING CYLINDER, 2WD, HEAVY DUTY
41.216.AB	04	VAR - 336858, 336861 - FRONT AXLE, OPERATING CYLINDER, COMPONENTS, 2WD, HEAVY DUTY
41.216.AN		VAR - 390328, 743559, 744580 - 4WD FRONT AXLE, STEERING CYLINDER
41.216.AV	01	VAR - 390328, 743559, 744580 - STEERING CONTROL VALVE, HYDR LINES, 4WD
41.216.AV	02	VAR - 330581, 335581, 336858, 336861 - STEERING CONTROL VALVE, HYDR LINES, 2WD
41.216.AV	04	VAR - 330581, 335581, 390328, 743559, 744580 - STEERING CONTROL, HYDRAULIC LINE

TABLE OF CONTENTS

41.216.AV	05	VAR - 330581, 335581, 336858, 336861 - STEERING CONTROL, HYDRAULIC LINE, 2WD
41.216.AV	06	VAR - 330581, 335581, 335672, 390328, 336858, 336861, 743559, 744580 - STEERING CONTROL VALVE, HYDR LINES
44.000.00	01	SECTION INDEX - FRONT WHEELS
44.000.00	02	SECTION INDEX - REAR WHEELS
44.511.AE	01	VAR - 8142301 - FRONT, WHEEL (W8LBX15)
44.511.AE	02	VAR - 8111304 - FRONT, WHEEL (W5.5FX16)
44.511.AE	03	VAR - 8122304 - FRONT, WHEEL (W8X15)
44.511.AE	04	VAR - 8122404 - FRONT, WHEEL (W8X15)
44.511.AE	05	VAR - 8124704 - FRONT, WHEEL (W8X15)
44.511.AE	06	VAR - 8203404 - FRONT, WHEEL (W11X20)
44.511.AE	07	VAR - 8223404 - FRONT, WHEEL (W9X20)
44.511.AE	08	VAR - 8232304 - FRONT, WHEEL (W11.2X24)
44.511.AE	09	VAR - 8232404 - FRONT, WHEEL (W10X24)
44.511.AE	10	VAR - 8269404 - FRONT, WHEEL (W11X20)
44.511.AE	11	VAR - 8269405, 8873402 - FRONT, WHEEL (W11X20)
44.511.AE	12	VAR - 8284604 - FRONT, WHEEL (W11X16.1)
44.511.AE	13	VAR - 8287701 - FRONT, WHEEL (W10LX16)
44.511.AE	14	VAR - 8290904 - FRONT, WHEEL (W9X18)
44.511.AE	15	VAR - 8820801 - FRONT, WHEEL (W11X20)
44.511.AE	16	VAR - 8820802 - FRONT, WHEEL (W11X20)
44.511.AE	17	VAR - 8824801 - FRONT, WHEEL (W11X20)
44.511.AE	18	VAR - 8824802 - FRONT WHEEL (W11X20)
44.511.AE	19	VAR - 8825801 - FRONT, WHEEL (W11X20)
44.511.AE	20	VAR - 8873401 - FRONT, WHEEL (W11X20)
44.511.AE	21	VAR - 8110704 - FRONT, WHEEL (W5.5FX16)
44.511.AE	22	VAR - 8882401 - FRONT, WHEEL (W11X20)
44.511.AE	23	VAR - 8882402 - FRONT, WHEEL (W11X20)
44.511.AE	24	VAR - 8111401 - FRONT, WHEEL (W5.50FX16)
44.511.AE	25	VAR - 8126601 - FRONT, WHEEL (W8LBX15), W/ HEAVY DUTY AXLE
44.511.AE	26	VAR - 8125801 - FRONT, WHEEL (W5.5FX16), W/ HEAVY DUTY AXLE
44.520.AB	01	VAR - 8310701 - REAR, WHEEL (W18X16.1)
44.520.AB	02	VAR - 8320604 - REAR, WHEEL (W14LX24)
44.520.AB	03	VAR - 8320704 - REAR, WHEEL (W14LX24)

TABLE OF CONTENTS

44.520.AB	04	VAR - 8351404 - REAR, WHEEL (W13X28)
44.520.AB	05	VAR - 8352304 - REAR, WHEEL (W15LX28)
44.520.AB	06	VAR - 8352404 - REAR, WHEEL (W15LX28)
44.520.AB	07	VAR - 8355304 - REAR, WHEEL (DWW14LX30)
44.520.AB	08	VAR - 8355404 - REAR, WHEEL (DWW14LX30)
44.520.AB	09	VAR - 8391904 - REAR WHEEL (W16LX24)
44.520.AB	10	VAR - 8906401 - REAR WHEEL (DWW15LX30)
44.520.AB	11	VAR - 8925801 - REAR, WHEEL (DWW20X26.5)
44.520.AB	12	VAR - 8950201 - REAR, WHEEL (DW20BX30)
44.520.AB	13	VAR - 8957801 - REAR, WHEEL (DWW15LX30)
44.520.AB	14	VAR - 8968801 - REAR, WHEEL (W15LX28)
44.520.AB	15	VAR - 8320404 - REAR, WHEEL (W14LX24)
44.520.AB	16	VAR - 8350404 - REAR, WHEEL (W12X28)
44.520.AB	17	VAR - 8930801 - REAR, WHEEL (DWW14LX30)
50.000.00		SECTION INDEX - CAB CLIMATE CONTROL
50.100.AP	01	VAR - 334183, 334211, 391606, 743496, 743573, 744588 - AIR CONDITIONER
50.100.AP	02	VAR - 334183, 334211, 391606, 743496, 743573, 744588 - AIR CONDITIONER
50.100.AQ	01	VAR - 334183, 334211, 391606, 743496, 743573, 744588 - HEATER, LINE
50.100.AQ	02	VAR - 334183, 334211, 391606, 743496, 743573, 744588 - HEATER, LINE
50.104.AO	01	VAR - 334183, 334211, 391606, 743496, 743573, 744588 - AIR CONDITIONER, DUCT, RH
50.104.AO	02	VAR - 334183, 334211, 391606, 743496, 743573, 744588 - AIR CONDITIONER, DUCT, LH
50.104.AQ		VAR - 334183, 334211, 391606, 743496, 743573, 744588 - AIR CONDITIONER, FILTER
50.200.AA		VAR - 334183, 334211, 391606, 743496, 743573, 744588 - AIR CONDITIONER, COMPRESSOR, SUPPORT
50.200.AB		VAR - 334183, 334211, 391606, 743496, 743573, 744588 - AIR CONDITIONER, COMPRESSOR, LINE
50.200.AK		VAR - 334183, 334211, 391606, 743496, 743573, 744588 - AIR CONDITIONER, CONDENSER
50.200.AN		VAR - 334183, 334211, 391606, 743496, 743573, 744588 - RECEIVER-DRYER, SUPPORT
50.200.AT		VAR - 334183, 334211, 391606, 743496, 743573, 744588 - AIR CONDITIONER, BELT
50.200.BB		VAR - 334183, 334211, 391606, 743496, 743573, 744588 - AIR CONDITIONER, CONDENSER, LINE
55.000.00	01	SECTION INDEX - ELECTRICAL SYSTEMS
55.000.00	02	SECTION INDEX - ELECTRICAL SYSTEMS
55.000.00	03	SECTION INDEX - ELECTRICAL SYSTEMS
55.000.00	04	SECTION INDEX - ELECTRICAL SYSTEMS
55.000.00	05	SECTION INDEX - ELECTRICAL SYSTEMS

TABLE OF CONTENTS

55.000.00	06	SECTION INDEX - ELECTRICAL SYSTEMS
55.000.00	07	SECTION INDEX - ELECTRICAL SYSTEMS
55.011.AC		VAR - 332136, 390210, 743543, 744574 - FUEL TANK, SENDER UNIT
55.014.AC		VAR - 390200 - AIR CLEANER, SENSOR
55.014.AD		VAR - 390321, 391013 - AIR INTAKE, TEMPERATURE SENDER
55.015.AA	01	VAR - 390321, 391013 - ENGINE, ELECTRONIC CONTROL UNIT
55.015.AA	02	VAR - 390321, 391013 - GLOW PLUG, CONTROL UNIT
55.015.AB	01	VAR - 390742, 397742, 743585 - HARNESS, ENGINE
55.015.AB	02	VAR - 390742, 397742, 743585 - HARNESS, ENGINE
55.015.AB	03	VAR - 390742, 397742, 743585 - HARNESS, ENGINE
55.020.AB	01	VAR - 330069, 332068, 332069, 333068, 333069, 334068, 390068 - SPEED LIMITER
55.020.AB	02	VAR - 334183, 334187, 334190, 334211, 392315 - GEAR, SPEEDOMETER
55.021.AB	01	VAR - 330581, 390328, 743559, 744580, 336858, 336861 - TRANSMISSION, PRESSURE SWITCH
55.021.AB	02	VAR - 330328, 330581, 390328, 336858, 743559 - TRANSMISSION, PRESSURE SWITCH, W/O CAB
55.024.AA	01	VAR - 330581, 390328, 336858, 336861, 743559, 744580 - TRANSMISSION, HARNESS
55.024.AA	02	VAR - 330069, 333068, 333069, 390068 - TRANSMISSION, HARNESS, BRACKETS
55.024.AA	03	VAR - 332068, 332069, 334068 - TRANSMISSION, HARNESS, BRACKETS
55.040.AG		VAR - 335677, 335694, 335695, 335696, 744580 - SOLENOID VALVE, 4WD
55.040.AH	01	VAR - 335677, 335694, 335695, 335696, 744580 - 4WD SWITCH, CAB
55.040.AH	02	VAR - 335677, 335694, 335695, 335696, 744580 - 4WD SWITCH, W/O CAB
55.048.AI	01	VAR - 332068, 332069, 334068 - PTO, SWITCH
55.048.AI	02	VAR - 334183, 334211, 391606, 743496, 743573, 744588 - PTO, SENSOR, CAB
55.050.AS	01	VAR - 334183, 334211, 391606, 743496, 743573, 744588 - AIR CONDITIONER, BLOWER, CAB
55.050.AS	02	VAR - 334183, 334211, 391606, 743496, 743573, 744588 - AIR CONDITIONER, BLOWER, COMPONENTS, CAB
55.050.AY		VAR - 335754, 390754 - BLOWER, WIRE HARNESS, CAB
55.051.AA	01	VAR - 334183, 334211, 391606, 743496, 743573, 744588 - AIR CONDITIONER, CONTROL PANEL, CAB
55.051.AA	02	VAR - 334183, 334211, 391606, 743496, 743573, 744588 - AIR CONDITIONER, CONTROL PANEL, COMPONENTS, CAB
55.100.CQ		VAR - 390742, 397742, 743585 - POWER UNIT, HARNESS
55.100.DO	01	VAR - 335754, 390754 - FUSE, RELAY, MAIN HARNESS
55.100.DO	02	VAR - 336754, 391754 - FUSE, RELAY, HARNESS, ROOF-MOUNTED, CAB
55.100.DO	03	VAR - 333756, 334193, 334990, 334991, 334992, 334994 - FUSE, RELAY
55.201.AE		VAR - 390321, 391013 - ENGINE, STARTER MOTOR
55.201.AH	01	VAR - 334183, 334211, 391606, 743496, 743573, 744588 - IGNITION SWITCH, CAB

**Thanks very much for your reading,
Want to get more information,
Please click here, Then get the complete
manual**

JustClickHere 

NOTE:

**If there is no response to click on the link above,
please download the PDF document first, and then
click on it.**

**Have any questions please write to me:
admin@servicemanualperfect.com**